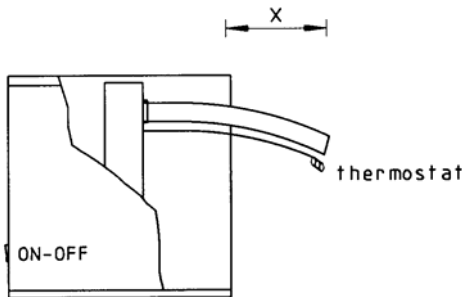


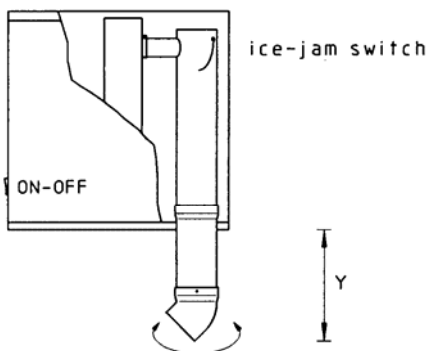
Stop-Device – Models ZBE 150 up to ZBE 375

Ice Discharge „A“ – Machine is placed onto or beside the unrefrigerated ice bin:



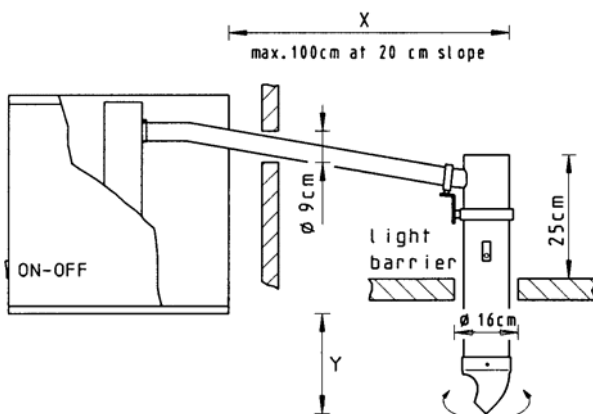
- Ice discharge hose
- Cutoff by thermostat (not suitable for refrigerated bins)
- Size X: standard 150 cm

Ice Discharge „B“ – Machine is placed onto ice bin or cold store:



- Ice distribution by adjustable ice routing bend
- Cutoff by ice-jam switch
- Indicate size Y

Ice Discharge „C“ – Machine is placed onto or beside ice bin:

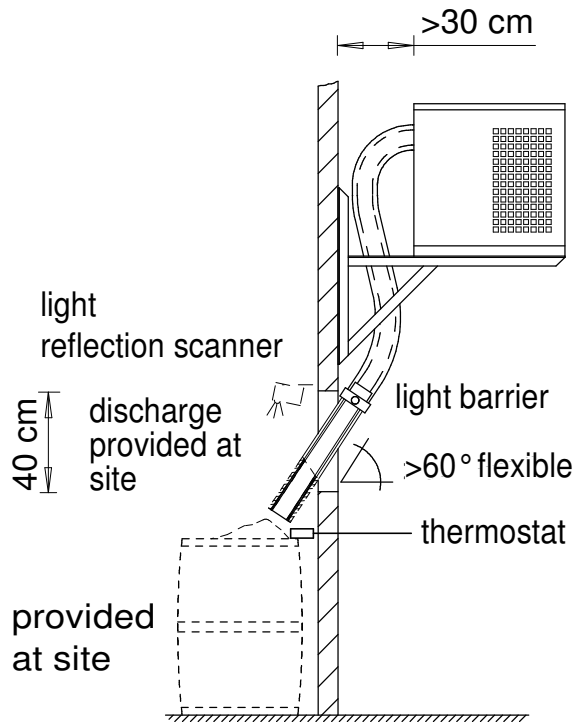


- Ice distribution by adjustable ice routing bend
- Cutoff by light barrier
- Indicate size X
and size Y.....

The ice machine produces directly into an ice-cart: Contact us for information

Set-up in service area:

Ice discharge "D"
discharge hose at the side
of the machine



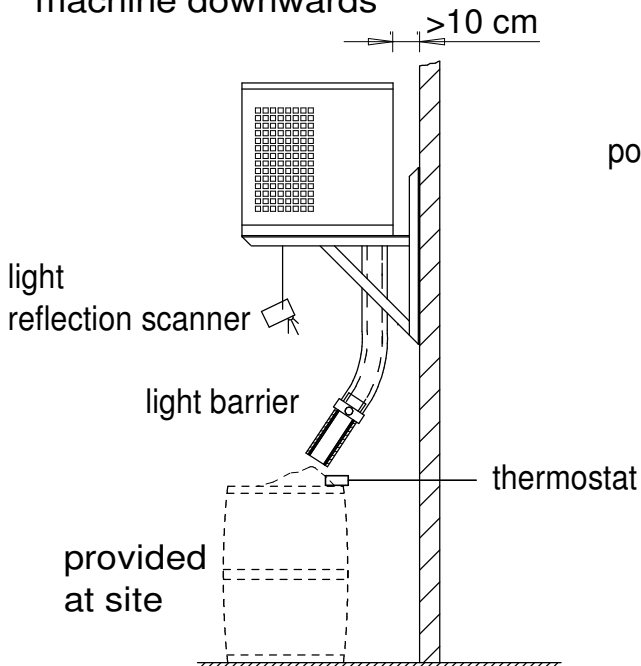
- * inclined discharge possible ($>60^\circ$), flexible
- * hose outer diameter 7,5 cm, insulated
5,5 cm, not insulated

These are tested and proved possibilities of installation with reliable cut-off of the ice machine when the ice well is filled.

Do you have different requirements?
Please contact us.

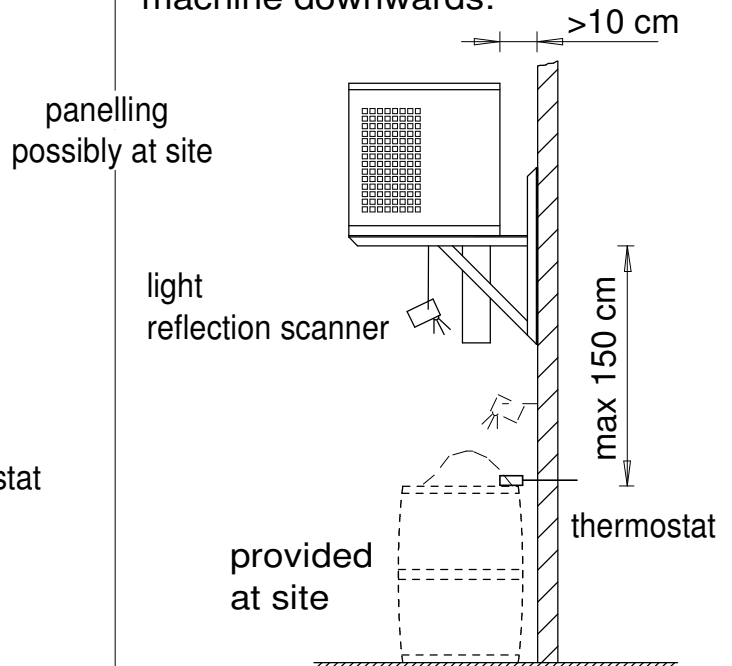
Set-up in sauna area:

Ice discharge "F":
discharge hose inside the
machine downwards



- * inclined discharge possible ($>60^\circ$), flexible
- * hose outer diameter 7,5 cm, insulated
5,5 cm, not insulated

Ice discharge "E":
Ice discharge (tube) inside the
machine downwards:



- * fixed ice discharge
- * tube outer diameter 13 cm, insulated
11 cm, not insulated

Ziegra Ice Machines

(UK) Ltd

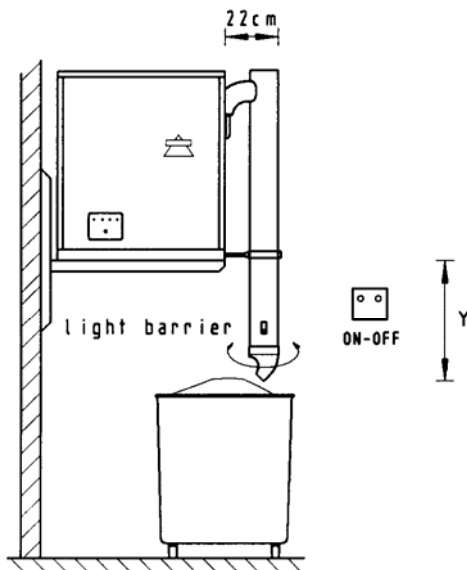


Stop-Device

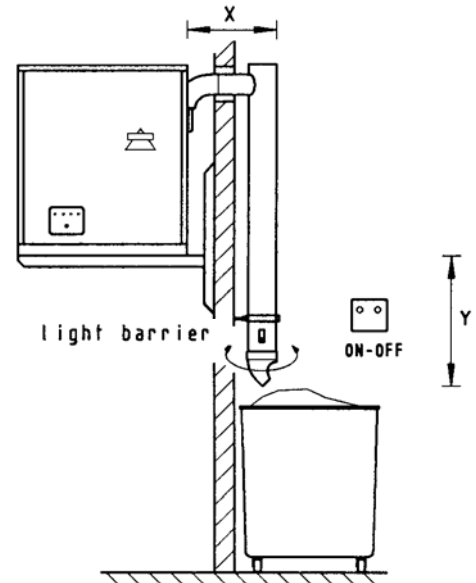
Machines producing directly into an ice-van ZBE 70 – UBE 10.000

When the ice-van is filled, machine is switched off automatically by a light barrier or proximity switch. Manual restart via on/off switch.

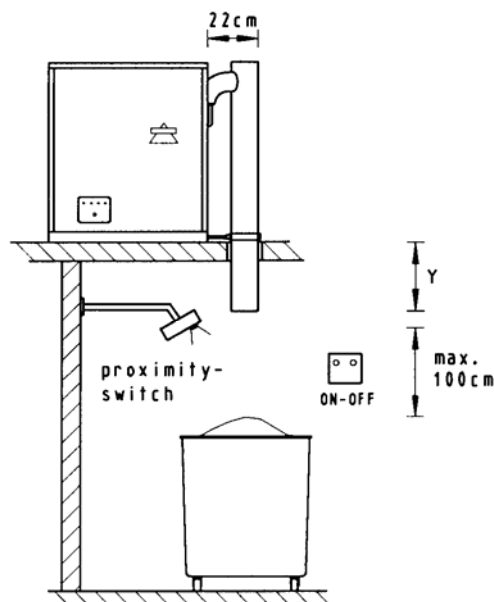
- Ice Discharge R



- Ice Discharge S



- Ice Discharge T



Indicate size X

resp. size Y

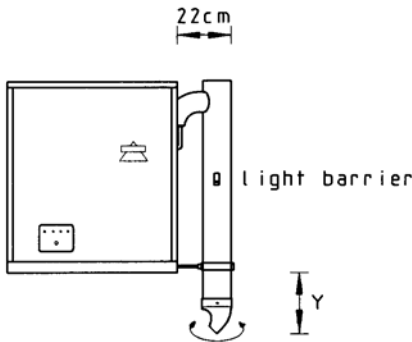
Ziegra Ice Machines

(UK) Ltd



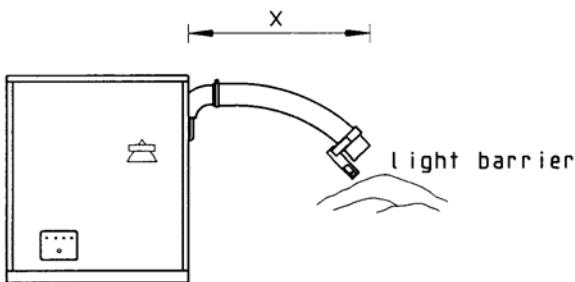
Stop-Device K, L and M – Models ZBE 550 up to UBE 10.000

- Ice Discharge „K“ – Machine is placed onto ice bin or cold store:



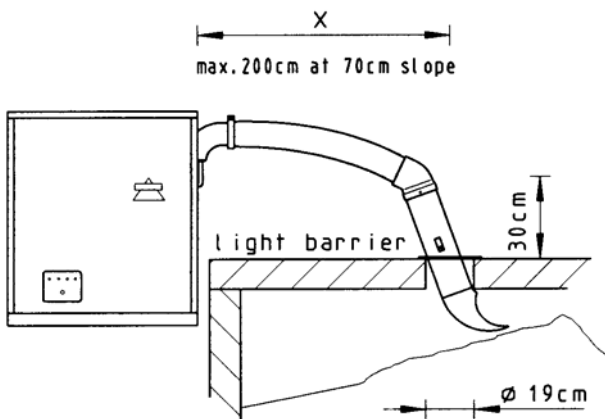
- Ice distribution by adjustable ice routing bend
- Cutoff by light barrier
- Indicate size Y

- Ice Discharge „L“ – Machine is placed beside the ice bin:



- No ice distribution device
- The ice falls onto a cone below the discharge hose.
- Cutoff by light barrier
- Indicate size X

- Ice Discharge „M“ – Machine is placed above or beside the ice store:



- Optimal ice distribution, when filling a larger ice store
- Cutoff by light barrier
- Indicate size X

- The ice machine produces directly into an ice-van:

Contact us for special information

Stop Device List Prices 2006 - See stop device diagrams for details

Type	Description	Model	With order		Retro order
			with bin	without bin	
A	<i>Thermostat</i>	150-375	NA	inc	£55
B	<i>ice jam switch</i>		inc	£174	£174
C	<i>light barrier</i>		£349	£349	£349
D	<i>light barrier</i>			£300	£300
	<i>Light barrier + thermostat</i>			£384	£384
	<i>Reflection sensor</i>			£251	£251
E	<i>Thermostat</i>			£258	£258
	<i>Reflection sensor</i>			£426	£426
F	<i>Light barrier</i>			£321	£321
	<i>Light barrier + thermostat</i>			£405	£405
	<i>Reflection sensor</i>		£272	£272	
R, S	<i>Light barrier</i>		£419	£419	£419
T	<i>with prox switch</i>		£448	£448	£448
K, L, M	<i>light barrier</i>	550-10.000 (per freezing unit)	inc	inc	£419
R, S	<i>Light barrier</i>		inc	inc	£419
T	<i>with prox switch</i>		inc	inc	£454
Side panel for B400			inc	NA	£167
Cut-off only. No ice distribution:					
	Light barrier, sender-receiver < 150cm		inc	inc	£172
	Light barrier, sender-receiver > 150cm		inc	inc	£379
	7-day timer		£165	£165	£165